



www.FGWilson.com

Modular Acoustic Enclosures

200 – 275 kVA Range



The FG Wilson sound attenuated enclosures accompanying the Perkins 1300 Series-powered generating set range are the result of continuing research and development by our specialist acoustic engineers.

The CAE enclosure (available on 200 – 275 kVA products) is designed for operation in regions where compliance with EU noise legislation does not apply.

Alternatively, the CAEU enclosure (available on 200 – 275 kVA products only) reduces sound levels to comply with the stage

2 levels of the European Community Directive 2000/14/EC which became effective 3 January 2006.

Fully weatherproof, both enclosures incorporate internally mounted exhaust silencers and an extremely rugged construction means both will withstand the rough handling common on many construction sites. They are designed on modular principles with many interchangeable components permitting on-site repair.

Robust/Highly Corrosion Resistant Construction

- Stainless steel locks and hinges
- Zinc plated or stainless steel fasteners
- Body made from steel components treated with polyester powder coating

Excellent Access for Maintenance

- Two large doors on each side
- Radiator fill access plate
- Lube oil and cooling water drains piped to exterior of the enclosure

Transportability

- Tested and certified single point lifting facility
- Lifting points on baseframe

Security and Safety

- Control panel viewing window in a lockable access door
- Emergency stop push button (red) mounted on enclosure exterior
- Cooling fan and battery charging alternator fully guarded
- Fuel fill and battery can only be reached via lockable access doors
- Exhaust silencing system totally enclosed for operator safety

Optional Features

- Oil field type skid with dragging points and fork lift truck pockets

FG Wilson has manufacturing facilities in the following locations:

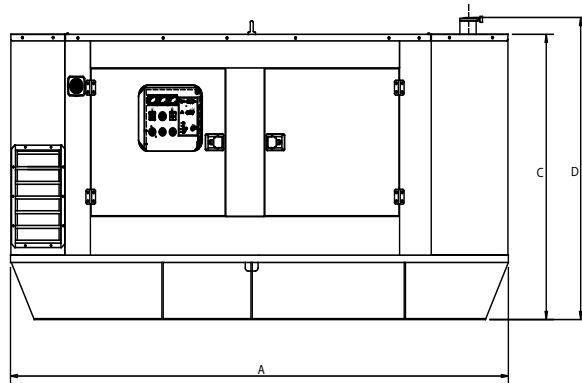
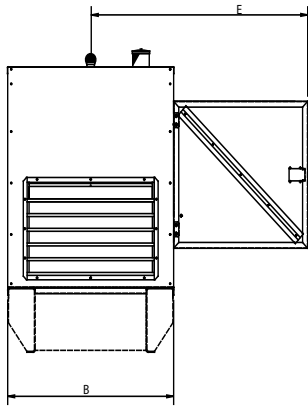
Northern Ireland • Brazil • China • India • USA

With headquarters in Northern Ireland, FG Wilson operates through a Global Dealer Network.

To contact your local Sales Office please visit the FG Wilson website at www.FGWilson.com

Sound Pressure Levels (dBA) for 200 – 275 kVA CAE Enclosure

| Generating Set Model | 50 Hz | | | | | | 60 Hz | | | | | | |
|----------------------|--------------|-----------|-------------|-----------|------------|-----------|--------------|-----------|-------------|-----------|------------|-----------|------|
| | 15 m (50 ft) | | 7 m (23 ft) | | 1 m (3 ft) | | 15 m (50 ft) | | 7 m (23 ft) | | 1 m (3 ft) | | |
| | 75% Load | 100% Load | 75% Load | 100% Load | 75% Load | 100% Load | 75% Load | 100% Load | 75% Load | 100% Load | 75% Load | 100% Load | |
| P200H2 | 64.6 | 64.9 | 70.6 | 70.9 | 82.6 | 82.7 | 66.9 | 67.5 | 72.9 | 73.5 | 86.4 | 86.7 | |
| P220HE2 | 64.7 | 65.1 | 70.7 | 71.1 | 82.7 | 82.8 | 67.1 | 67.9 | 73.1 | 73.9 | 86.5 | 86.9 | |
| P230H2 | 64.8 | 65.1 | 70.8 | 71.1 | 82.7 | 82.8 | 67.0 | 67.8 | 73.0 | 73.8 | 86.5 | 86.8 | |
| P250HE2 | 64.9 | 65.2 | 70.9 | 71.2 | 82.7 | 82.8 | 67.2 | 68.2 | 73.2 | 74.2 | 86.6 | 87.0 | |
| P250H2 | 64.9 | 65.2 | 70.9 | 71.2 | 82.7 | 82.8 | - | - | - | - | - | - | |
| P275HE2 | 65.0 | 65.4 | 71.0 | 71.4 | 82.7 | 82.9 | - | - | - | - | - | - | |
| P220H-2 | Prime | 64.6 | 64.9 | 70.6 | 70.9 | 82.6 | 82.7 | 66.9 | 67.5 | 72.9 | 73.5 | 86.4 | 86.7 |
| | Standby | 64.7 | 65.1 | 70.7 | 71.1 | 82.7 | 82.8 | 67.1 | 67.9 | 73.1 | 73.9 | 86.5 | 86.9 |
| P250H-2 | Prime | 64.8 | 65.1 | 70.8 | 71.1 | 82.7 | 82.8 | 67.7 | 68.3 | 73.7 | 74.3 | 87.7 | 88.0 |
| | Standby | 64.9 | 65.2 | 70.9 | 71.2 | 82.7 | 82.8 | 67.8 | 68.6 | 73.8 | 74.6 | 87.7 | 88.1 |
| P275H-2 | Prime | 64.1 | 64.2 | 70.1 | 70.2 | 83.6 | 83.5 | - | - | - | - | - | - |
| | Standby | 64.1 | 64.3 | 70.1 | 70.3 | 83.6 | 83.4 | - | - | - | - | - | - |



Dimensions and Weights for 200 – 275 kVA CAE Enclosure

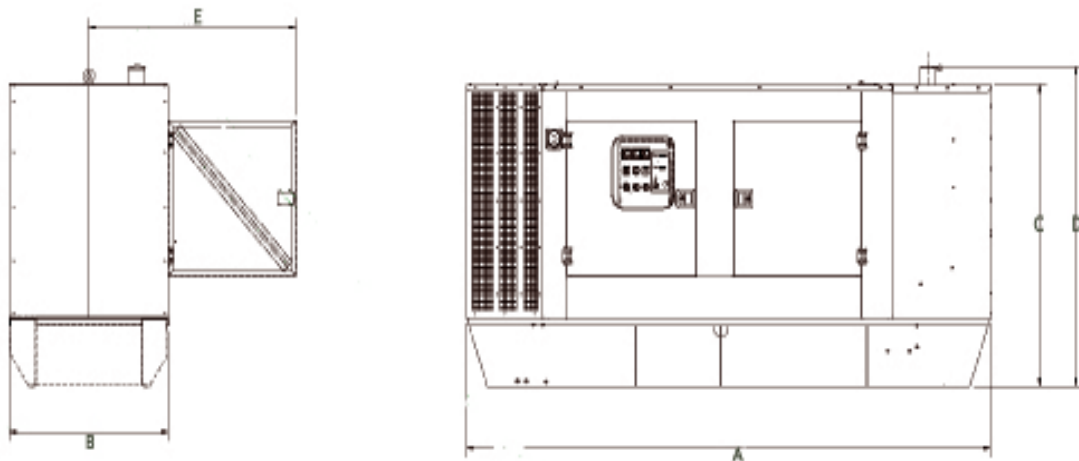
| Generating Set Model | A: mm (in) | B: mm (in) | C: mm (in) | D: mm (in) | *E: mm (in) | Weight: kg (lb) | Fuel Capacity: l (US gal) |
|----------------------|---------------|---------------|---------------|---------------|----------------|--------------------|------------------------------|
| P200H2/P220HE2 | 3894 (153.3) | 1300 (51.2) | 1875 (73.8) | 1996 (78.6) | 1700 (66.9) | 2944 (6490) | 550 (145) |
| P230H2/P250HE2 | 3894 (153.3) | 1300 (51.2) | 1875 (73.8) | 1996 (78.6) | 1700 (66.9) | 3029 (6678) | 550 (145) |
| P250H2/P275HE2 | 3894 (153.3) | 1300 (51.2) | 1875 (73.8) | 1996 (78.6) | 1700 (66.9) | 3094 (6821) | 550 (145) |
| P220H-2 | 3894 (153.3) | 1300 (51.2) | 1875 (73.8) | 1996 (78.6) | 1700 (66.9) | 2879 (6347) | 550 (145) |
| P250H-2 | 3894 (153.3) | 1300 (51.2) | 1875 (73.8) | 1996 (78.6) | 1700 (66.9) | 2964 (6534) | 550 (145) |
| P275H-2 | 3894 (153.3) | 1300 (51.2) | 1875 (73.8) | 1996 (78.6) | 1700 (66.9) | 3029 (6678) | 550 (145) |

* Clearance required both sides; Weight with lube oil, no coolant, no fuel.

Sound Pressure Levels (dBA) for 200 – 275 kVA CAEU Enclosure

| Generating Set Model | 50 Hz | | | | | | 60 Hz | | | | | | |
|----------------------|--------------|-----------|-------------|-----------|------------|-----------|--------------|-----------|-------------|-----------|------------|-----------|------|
| | 15 m (50 ft) | | 7 m (23 ft) | | 1 m (3 ft) | | 15 m (50 ft) | | 7 m (23 ft) | | 1 m (3 ft) | | |
| | 75% Load | 100% Load | 75% Load | 100% Load | 75% Load | 100% Load | 75% Load | 100% Load | 75% Load | 100% Load | 75% Load | 100% Load | |
| P200H2 | 63.4 | 64.0 | 69.4 | 70.0 | 79.2 | 79.9 | 66.9 | 67.2 | 72.9 | 73.2 | 85.4 | 85.7 | |
| P220HE2 | 63.6 | 64.2 | 69.6 | 70.2 | 79.3 | 80.4 | 67.0 | 67.4 | 73.0 | 73.4 | 85.4 | 85.8 | |
| P230H2 | 63.7 | 64.3 | 69.7 | 70.3 | 79.4 | 80.7 | 66.9 | 67.4 | 72.9 | 73.4 | 85.4 | 85.8 | |
| P250HE2 | 63.8 | 64.5 | 69.8 | 70.5 | 79.7 | 81.3 | 67.1 | 67.6 | 73.1 | 73.6 | 85.5 | 86.0 | |
| P250H2 | 63.8 | 64.5 | 69.8 | 70.5 | 79.7 | 81.3 | - | - | - | - | - | - | |
| P275HE2 | 64.0 | 64.7 | 70.0 | 70.7 | 80.1 | 82.3 | - | - | - | - | - | - | |
| P220H-2 | Prime | 63.4 | 64.0 | 69.4 | 70.0 | 79.2 | 79.9 | 66.9 | 67.2 | 72.9 | 73.2 | 85.4 | 85.7 |
| | Standby | 63.6 | 64.2 | 69.6 | 70.2 | 79.3 | 80.4 | 67.0 | 67.4 | 73.0 | 73.4 | 85.4 | 85.8 |
| P250H-2 | Prime | 63.7 | 64.3 | 69.7 | 70.3 | 79.4 | 80.7 | 66.0 | 66.7 | 72.0 | 72.7 | 83.5 | 84.2 |
| | Standby | 63.8 | 64.5 | 69.8 | 70.5 | 79.7 | 81.3 | 66.2 | 67.1 | 72.2 | 73.1 | 83.7 | 84.5 |
| P275H-2 | Prime | 62.7 | 63.7 | 68.7 | 69.7 | 80.0 | 80.8 | - | - | - | - | - | - |
| | Standby | 63.0 | 64.2 | 69.0 | 70.2 | 80.2 | 81.3 | - | - | - | - | - | - |

Levels in accordance with European Noise Directive (2000/14/EC).



Dimensions and Weights for 200 – 275 kVA CAEU Enclosure

| Generating Set Model | A: mm (in) | B: mm (in) | C: mm (in) | D: mm (in) | *E: mm (in) | Weight: kg (lb) | Fuel Capacity: l (US gal) |
|----------------------|---------------|---------------|---------------|---------------|----------------|--------------------|------------------------------|
| P200H2/P220HE2 | 4294 (169.1) | 1300 (51.2) | 1875 (73.8) | 1996 (78.6) | 1700 (66.9) | 3035 (6691) | 550 (145) |
| P230H2/P250HE2 | 4294 (169.1) | 1300 (51.2) | 1875 (73.8) | 1996 (78.6) | 1700 (66.9) | 3120 (6878) | 550 (145) |
| P250H2/P275HE2 | 4294 (169.1) | 1300 (51.2) | 1875 (73.8) | 1996 (78.6) | 1700 (66.9) | 3185 (7022) | 550 (145) |
| P220H-2 | 4294 (169.1) | 1300 (51.2) | 1875 (73.8) | 1996 (78.6) | 1700 (66.9) | 2970 (6548) | 550 (145) |
| P250H-2 | 4294 (169.1) | 1300 (51.2) | 1875 (73.8) | 1996 (78.6) | 1700 (66.9) | 3055 (6735) | 550 (145) |
| P275H-2 | 4294 (169.1) | 1300 (51.2) | 1875 (73.8) | 1996 (78.6) | 1700 (66.9) | 3120 (6878) | 550 (145) |

* Clearance required both sides; Weight with lube oil, no coolant, no fuel.

FG Wilson has manufacturing facilities in the following locations:

Northern Ireland • Brazil • China • India • USA

With headquarters in Northern Ireland, FG Wilson operates through a Global Dealer Network.

To contact your local Sales Office please visit the FG Wilson website at www.FGWilson.com